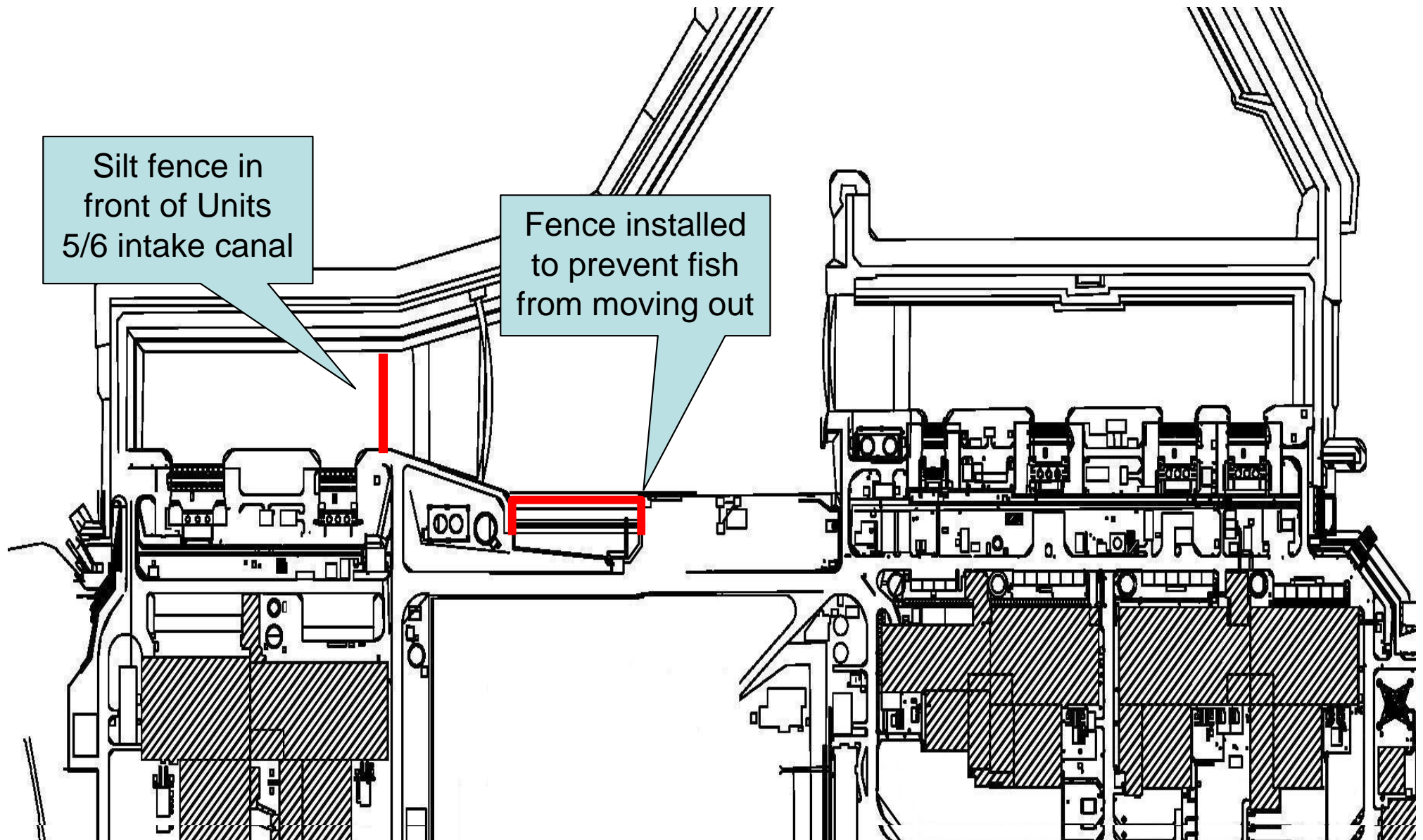


Cutoff of the “Silt Fence Installed in Front of the Shallow Draft Quay to Prevent Fish From Moving Out” and the “Silt Fence Installed in Front of Units 5/6 Intake Canal”

<Reference>

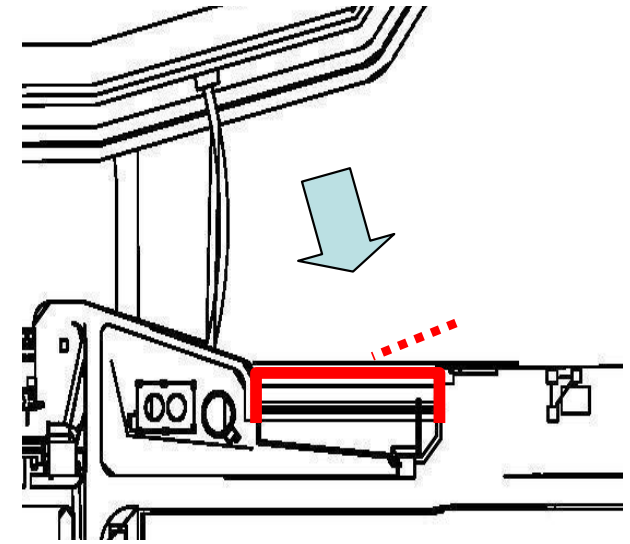
April 8, 2013

Tokyo Electric Power Company





Condition of the silt fence on Units 5/6 side



Condition of the silt fence installed in front of the shallow draft quay to prevent fish from moving out