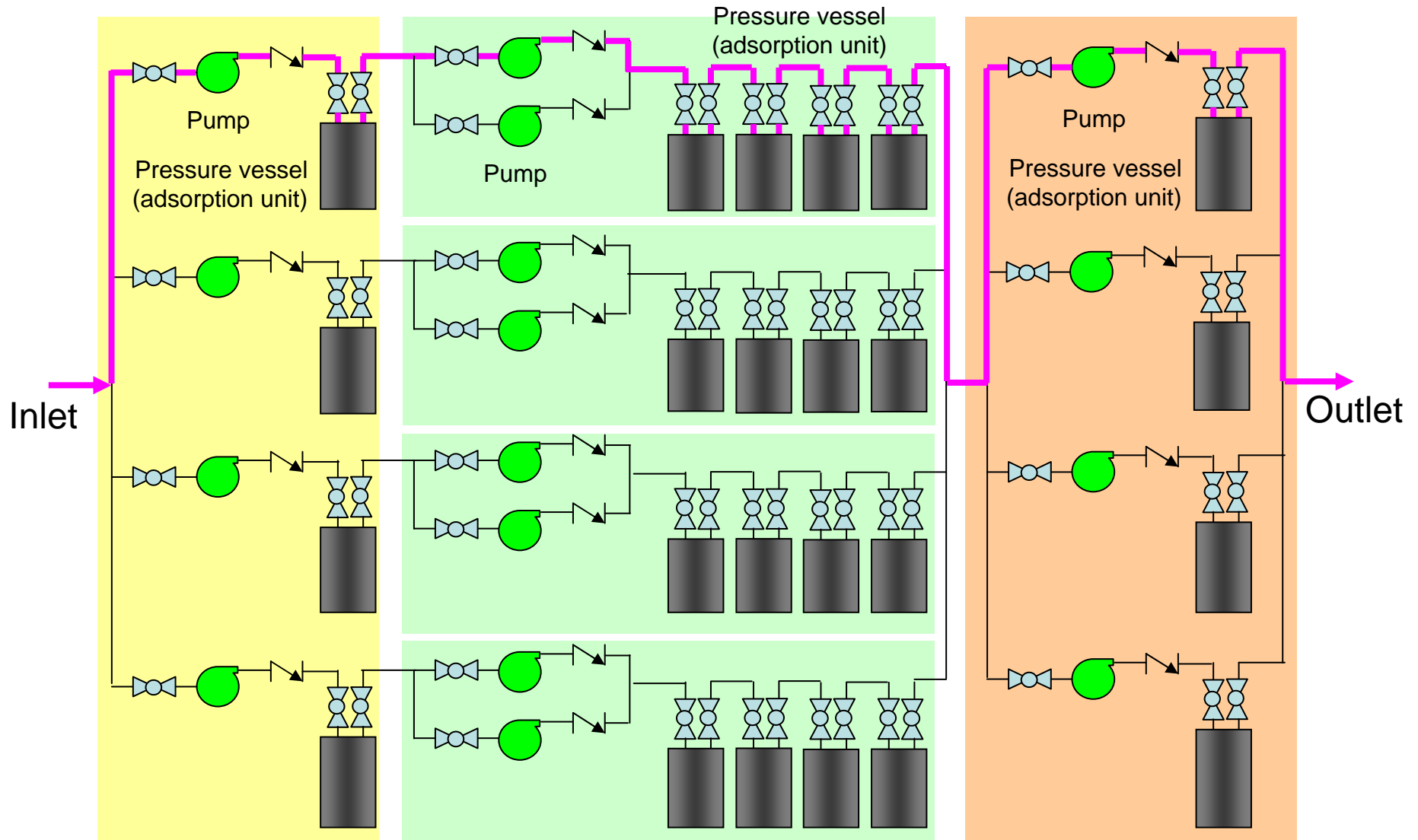


System diagram of cesium adsorption Instruments

June 17, 2011

Tokyo Electric Power Company



Skid for oil and technetium removal

Skid for cesium removal

Skid for iodine removal