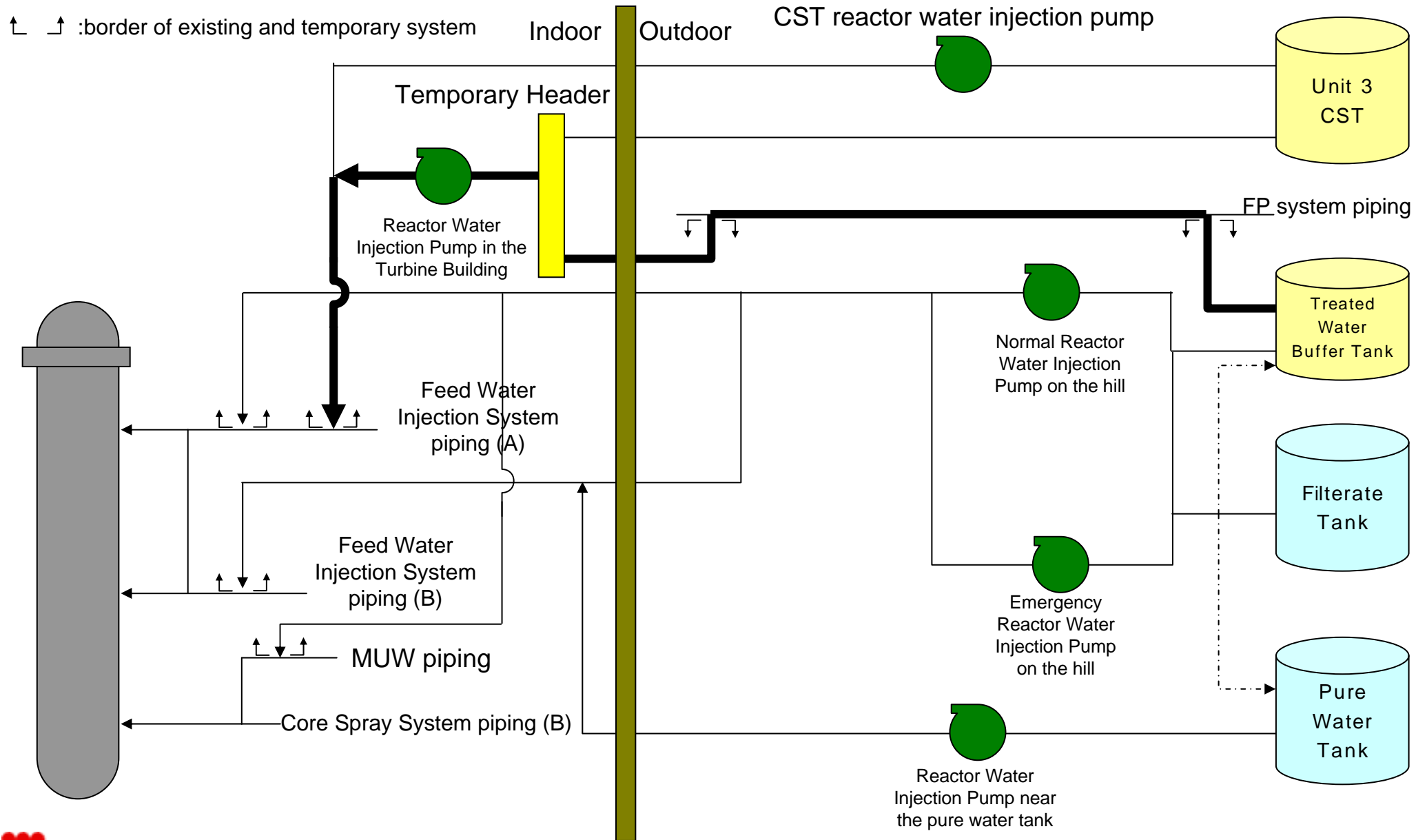


# Reactor Water Injection Line from the Reactor Water Injection Pump in the Turbine Building of Fukushima Daiichi NPS ( Unit 1 )

January 26, 2012  
Tokyo Electric Power Company



# Reactor Water Injection Line from the Reactor Water Injection Pump in the Turbine Building of Fukushima Daiichi NPS ( Unit 2 / Unit 3 )

January 26, 2012  
Tokyo Electric Power Company

