

Emergency Countermeasures for Safety at Fukushima Daini Nuclear Power Station

May 20, 2011

We have implemented following emergency countermeasures for safety to prevent damages of reactor core and spent fuel, suppress discharge of radioactive materials and restore cooling function of reactor facility even if three functions (function of all facilities that supplies AC power, function of all facilities that cools reactor facility and function of all facilities that cools spent fuel pool by seawater) are lost by tsunami, by 19th May 2011.

- (1) Emergency Checking
 - Visual inspection and functional testing on the equipments and facilities necessary for emergency use.
- (2) Review of Emergency Plan Manual and implementation of Security Training
 - Review of Emergency Plan Manual
 - Emergency Security Training



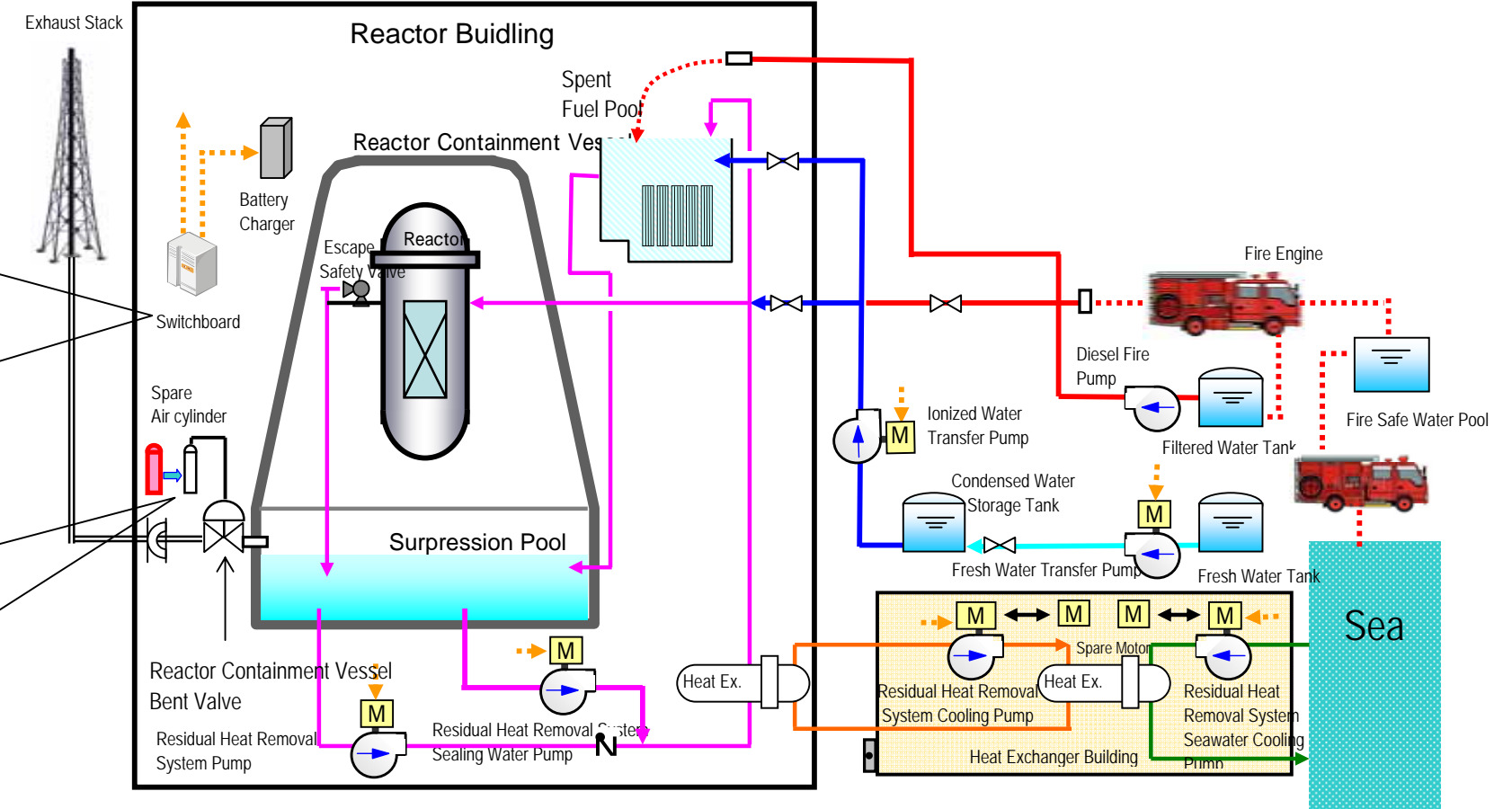
- (4) Securing function to exhaust heat at emergency event
 - Review the procedure to secure feeding water and cooling the reactor and deployment of necessary equipment and materials at site.
 - Review the procedures to avoid exhaustness of alternative source of water to feed and securin source of water by fire engines
- (5) Securing function to cool Spent Fuel Pool at emergency event
 - Review the procedure to secure feeding water and cooling of Spent Fuel Pool at emergency event and deployment of necessary equipment and materials at site.



- (3) Security of back up power at emergency event
 - Check the plan to supply power to reactor feed water pumps when lost of all on site power and installment of mobile generator vehicle and related faciities.



- (4) Securing function of exhaust heat at emergency event
 - Check the plan to secure the function to reduce pressure of Reactor Containment Vessel when lost of all onsite power.



- legend
- Fire Safety System Line
 - Feed Water System Line
 - Residual Heat Removal System Cooling Line
 - Residual Heat Removal System Sea Water Cooling Line
 - Ionized Water Feed Water Line
 - Residual Heat Removal System
 - Power Supply Line

- (6) Necessary conutermeasures for specific site structure
 - Preventive countermeasure (breakwater, sandback wall) against submergence of equipment building of safety importance.
 - Deployment of heavy equipment to secure accessability on site road.(removal of rubble)

