

Rising trend in accumulated water levels in the northeastern area of the Fukushima Daiichi Unit 3 reactor building (Continued report II)

- The water level of accumulated water in the northeastern area (northeast triangular corner) of the first subfloor of the Unit 3 reactor building had remained stable at approximately TP -2,100mm as of 10:00 AM on March 9. However, around 10:30 AM on the same day, the water level started to rise and it was confirmed to at approximately TP -1,916mm as of 9:00 AM on March 10.
- At current time the cause of the water level increase is unclear, but in order to maintain a difference in water levels between the aforementioned area and those in sub-drains in the vicinity, temporarily installed pumps located in the same area will be used to pump out accumulated water tomorrow (March 11) and transfer it to the reactor building torus chamber. We shall continue to monitor water levels and keep them at appropriate levels.
- No abnormalities have been seen in plant parameters, monitoring post, dust monitors at site boundaries, site drainage channel monitors or seawater monitors. Furthermore, as of 3 PM on March 10, the water level in the Unit 3 primary containment vessel was TP +9,572 mm, and we have seen no large fluctuation in that water level.
- An investigation into the cause will be conducted.

(Already announced on March 10)
- In conjunction with the increase in water level in the aforementioned area, a field investigation of the first floor of the Unit 3 reactor building was conducted yesterday (March 10) around 8:30 AM. In the past we have found water from inside the primary containment vessel (PCV) leaking through the first floor main steam isolation valve (MSIV) into two funnels on the north side and flowing into the southeast area (southeast triangular corner). However, the results of this investigation found that the aforementioned two funnels are clogged thereby forcing water to flow into the stairwell on the northeast side of the reactor building. The aforementioned funnels were cleaned thereby allowing water to flow through them and we confirmed thereafter that the level of accumulated water in the southeast triangular corner of the subfloor, which is where the water from the aforementioned funnels flows to, is quickly rising while the level of accumulated water in the northeast triangular corner has stopped rising and is now showing a downward trend.

(Underlined portions have been newly added)

○ Water levels as of 3 PM on March 11 are as follows:

Northeast triangular corner of subfloor: Approximately TP -2,092mm

○ The rising trend that was observed in the level of accumulated water in the northeast triangular corner has started to decrease and as of 9 AM on March 11 the difference with sub-drain water levels was being maintained at approximately 1,400mm. (as of 3 PM: Approximately TP -1,500mm)

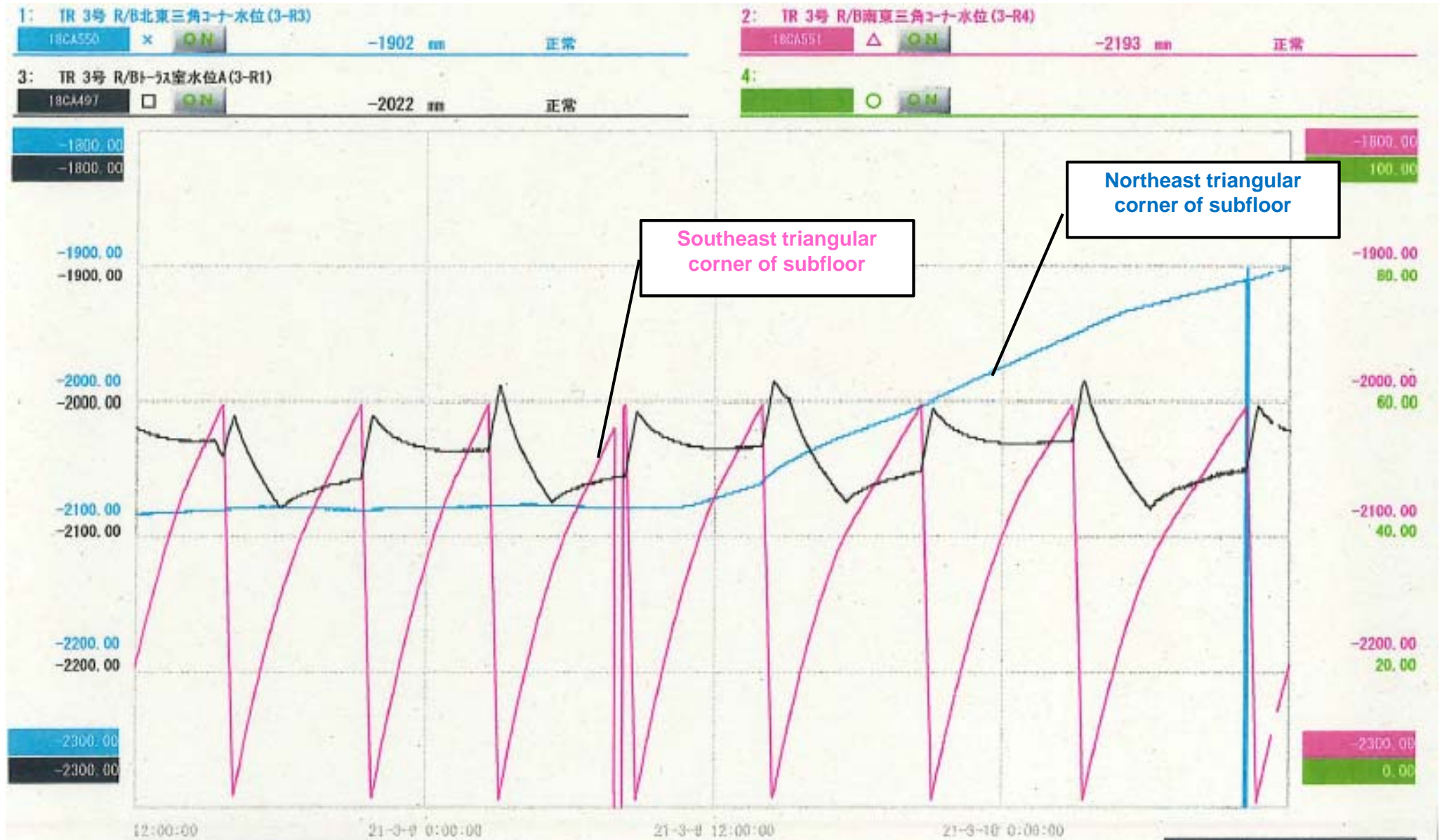
○ Thereafter, temporarily installed pumps were used at noon today to pump accumulated water out of the northeast triangular corner of the subfloor. We will continue to watch water levels and pump water out as necessary if funnels clog.

○ Since it is feared that the aforementioned funnels will clog again in the future, we are deliberating boring a hole in the floor of the first floor of the reactor building as a permanent countermeasure to allow a path for water to flow into the torus chamber.

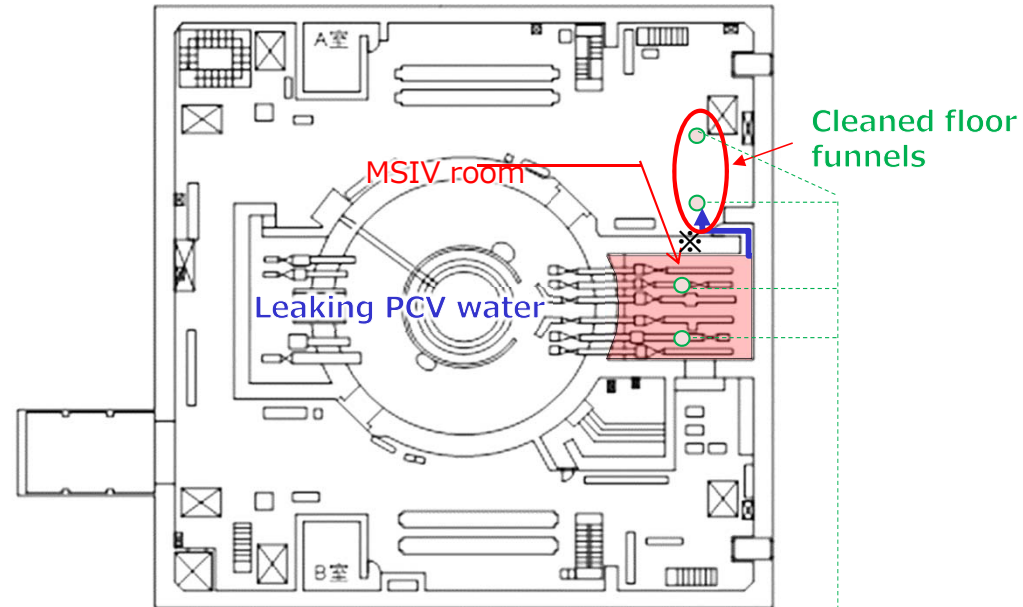


Water flowing again through cleaned funnels
(Water is flowing into the southeast
triangular corner of the subfloor)

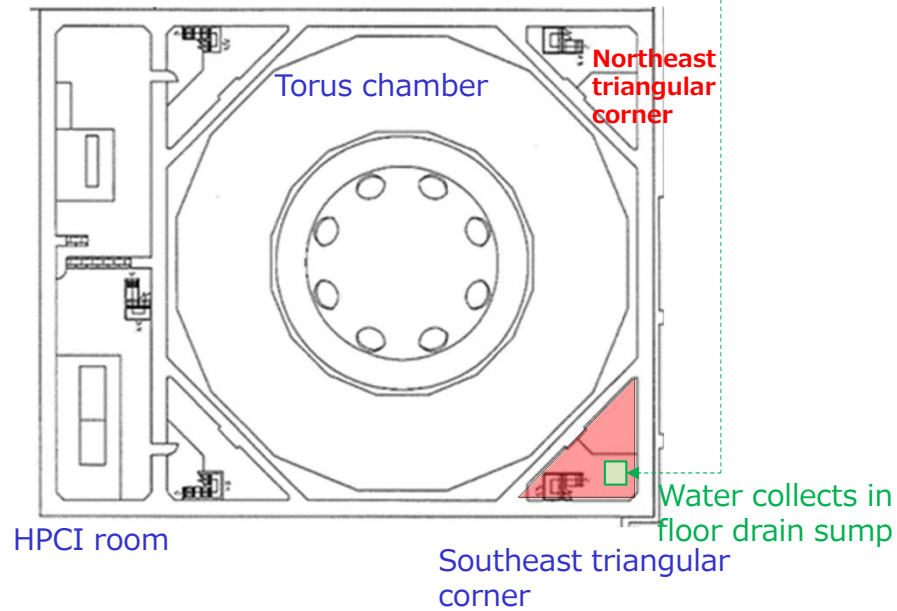
Water levels (Since March 10)



(Reference) Unit 3 reactor building (Floor diagram)



※Some water is leaking to the funnel outside the MSIV room
B1FL



Water levels

