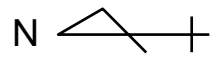
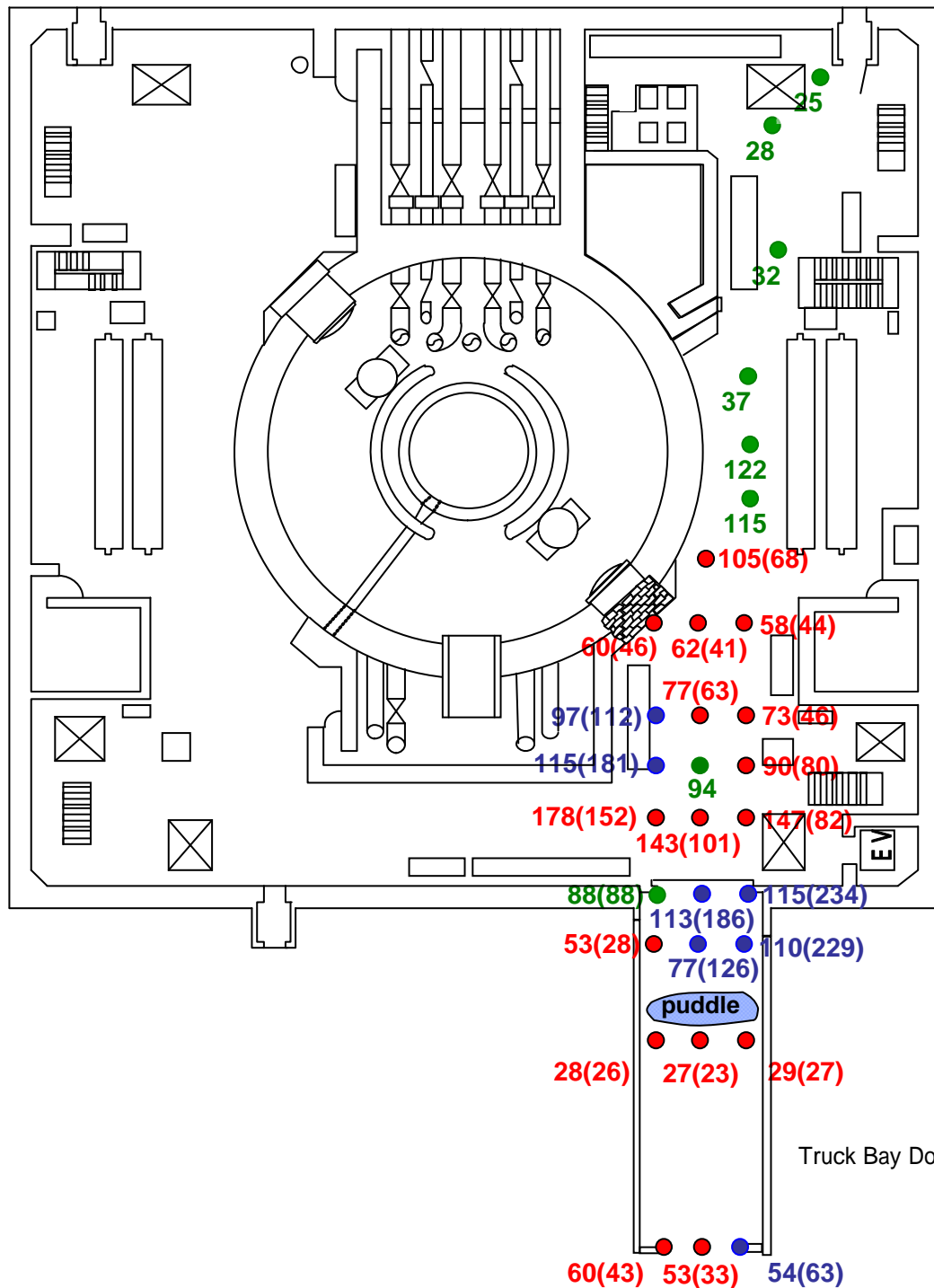


# Result of radiation dose survey inside the Unit 3 reactor building in Fukushima Daiichi Nuclear Power Station



Survey Date: 10:31-12:42 on June 24, 2011  
 Workers: 5 (TEPCO 1, others 4)  
 Exposure dose: 1.17 ~ 1.76mSv  
 Devices used : Packbot 2 units  
 Survey Height : Approx. 1m high

- Increase from previous survey
- No change from previous survey (or previous data is not available)
- decrease from previous survey

(note) data in the parenthesis is measured on June 8