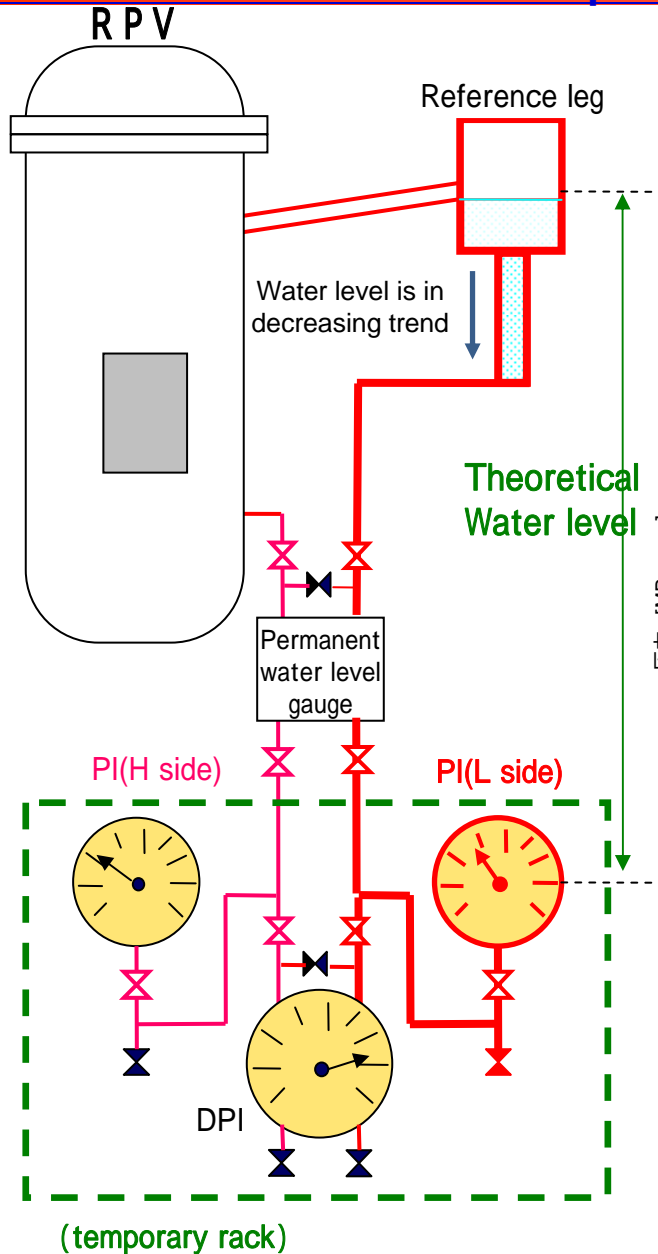
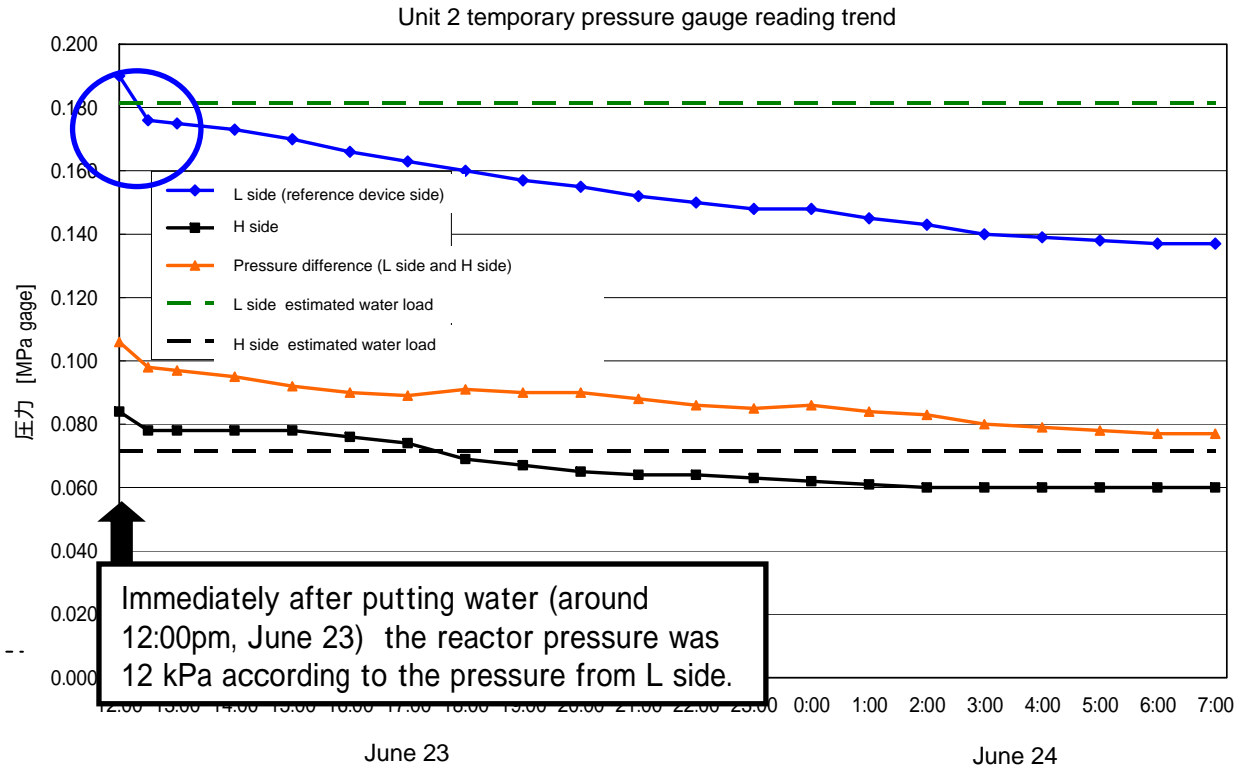


Trend surveillance after putting water in the temporary measurement instruments for Unit 2 reactor water level/pressure

June 25, 2011
TEPCO



* As a result of putting water in the temporary water level gauge, etc, it was found that the water level in the instrument pipe of reference leg was below the theoretical water level and was in continuous decreasing trend.



While the leakage from the pipes and valve was considered, evaporation affected by the PCV temperature is likely as water level in both L side (reference device side) and H side shows continuous decreasing trend.