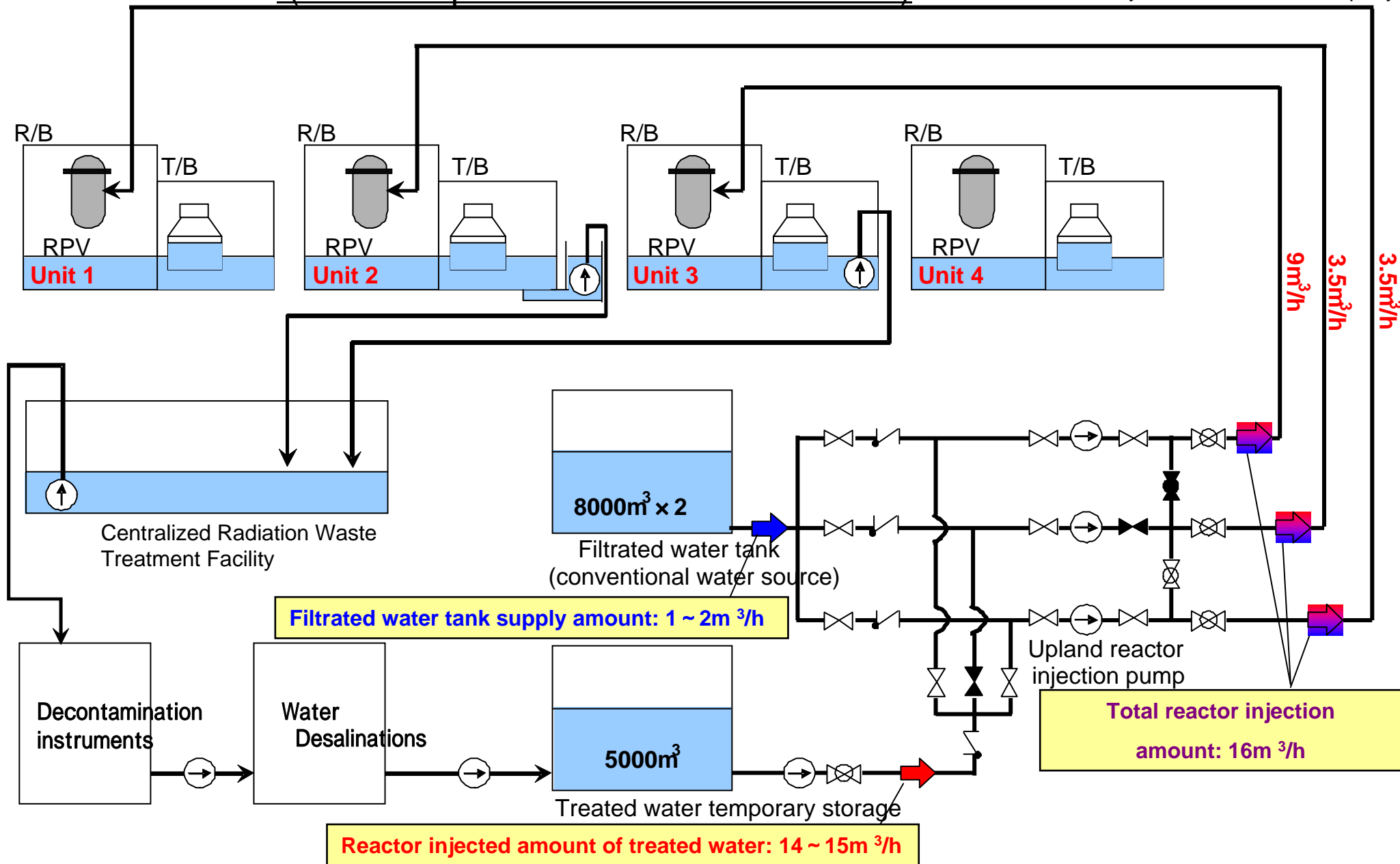


System outline of circulating injection cooling (before implementation of buffer tanks)

July 1, 2011
Tokyo Electric Power Company



System outline of circulating injection cooling (after implementation of buffer tanks)

July 1, 2011
Tokyo Electric Power Company

