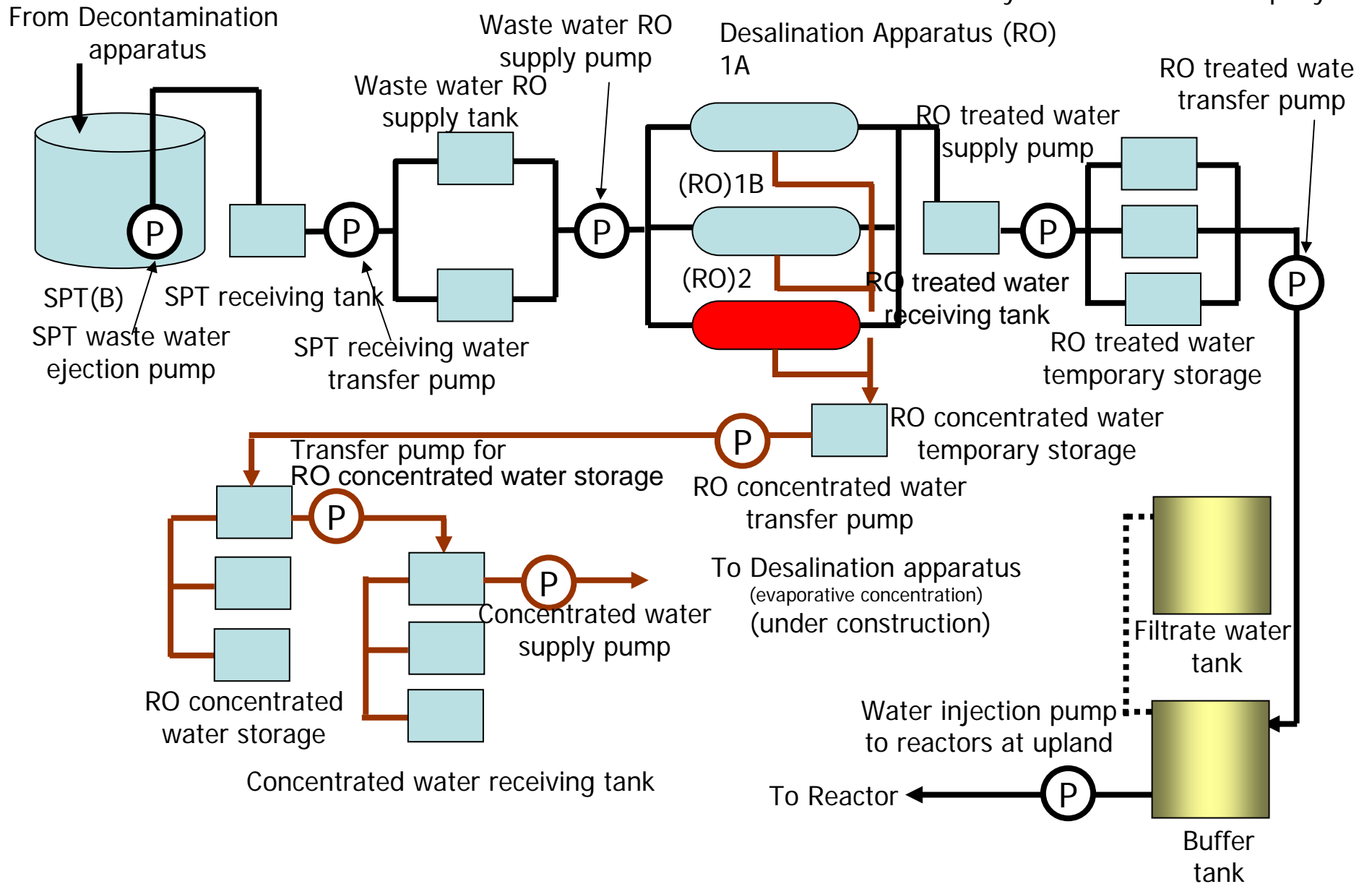


Outline of System Diagram of Desalination Apparatus (RO) July 25, 2011 Tokyo Electric Power Company



Outline of Desalination Apparatus (RO) 2

