

Outline of Piping Installation Work in the Reactor Building Regarding Primary Containment Vessel (PCV) Gas Management System on Fukushima Daiichi NPS, Unit 2

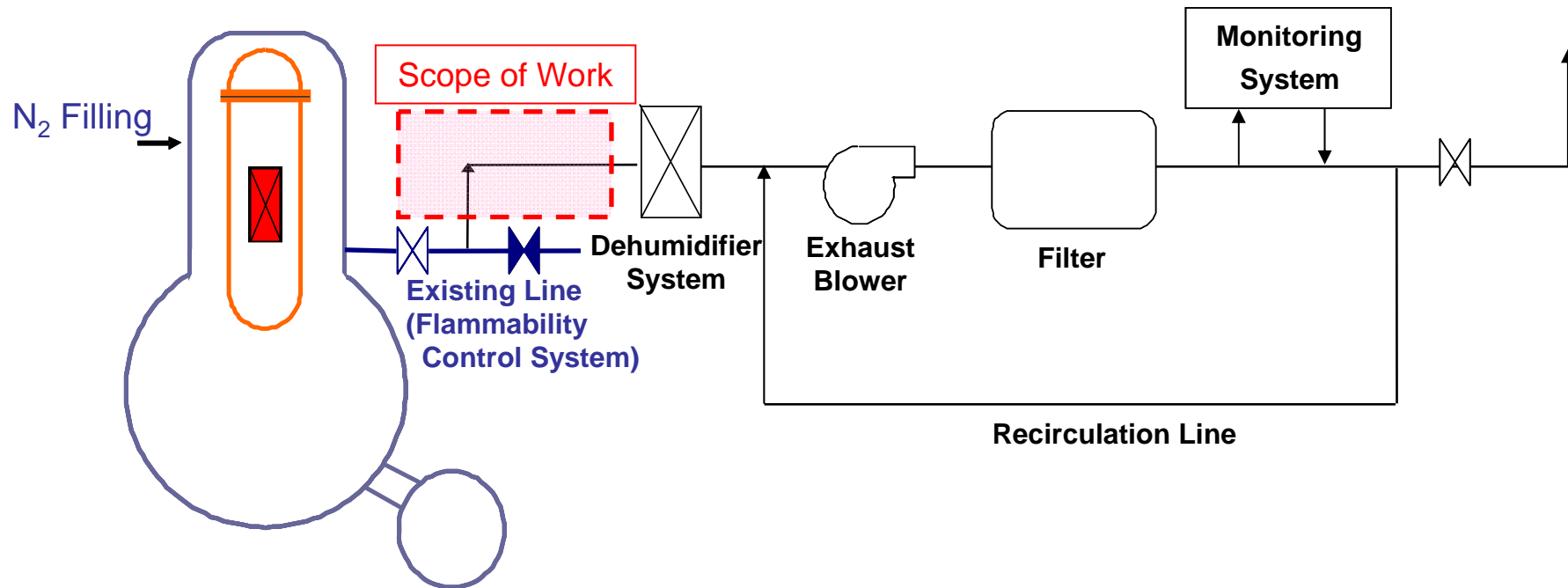


Fig.1 Schematic Diagram of Primary Containment Vessel (PCV) Gas Management System

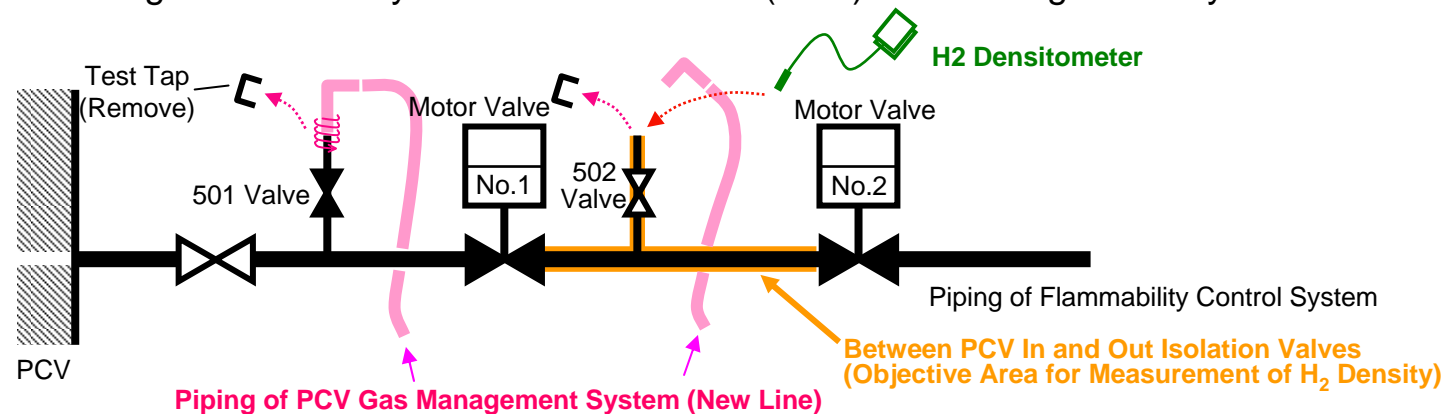


Fig.2 Enlarged View of Horse Connection Part and Objective Area for Measurement of H₂ Density