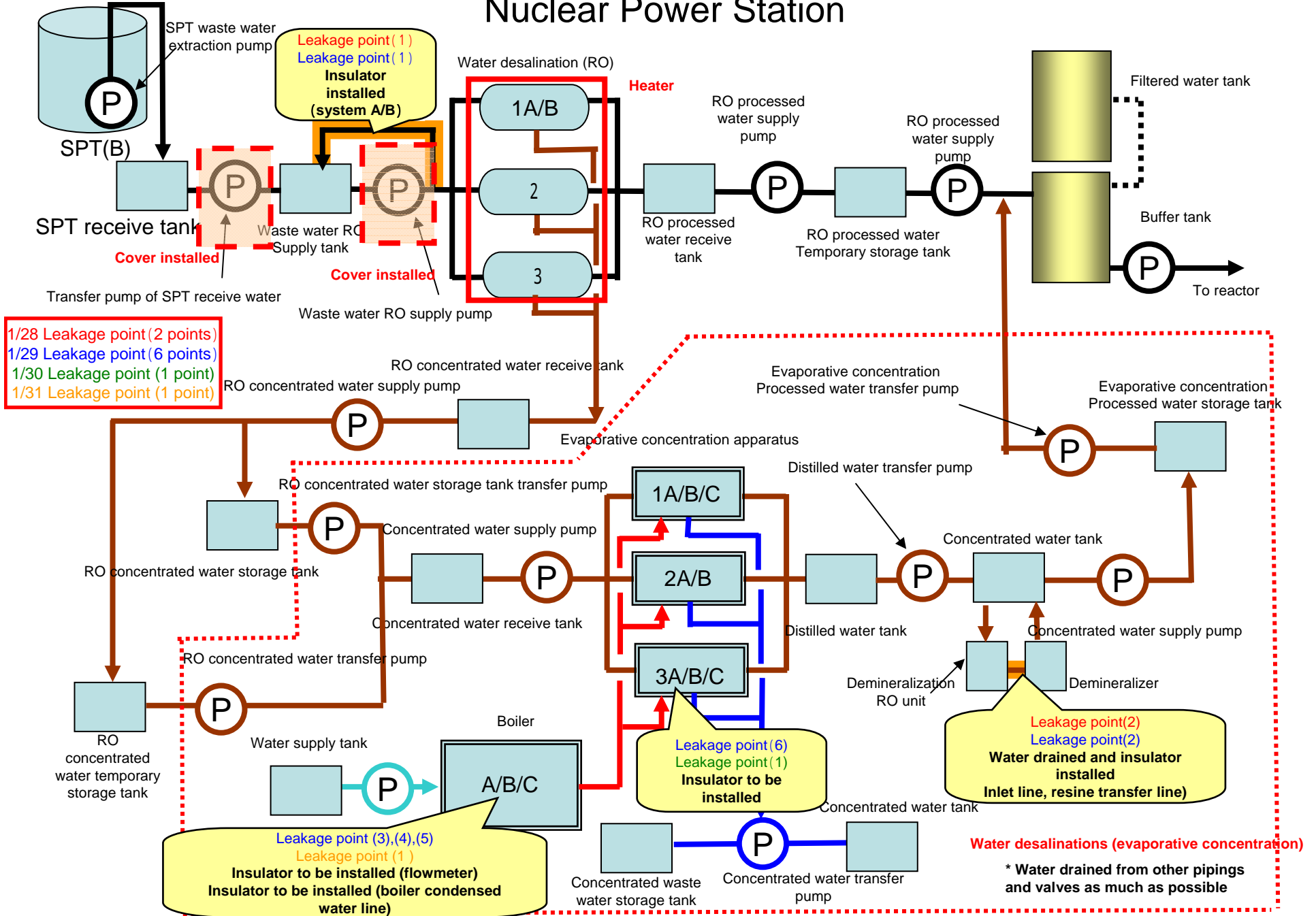


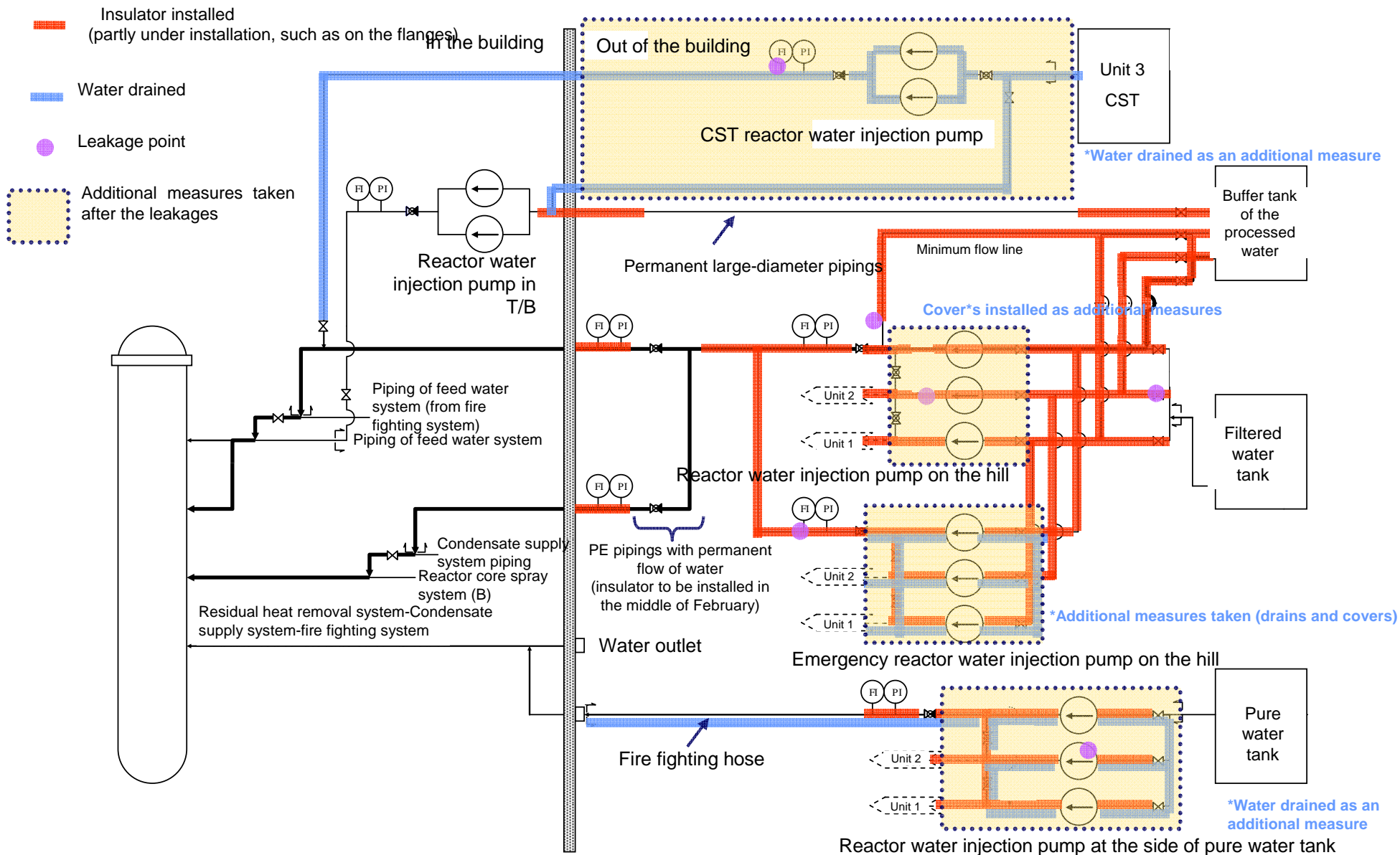
Measures against Freeze of Water Treatment Facility at Fukushima Daiichi Nuclear Power Station



Measures against Freeze of Reactor Water Injection System at Fukushima Daiichi Nuclear Power Station

February 1, 2012

Tokyo Electric Power Company



Measures against Freeze (Cover)



the Cover
(emergency of reactor water injection pump on the hill)



Inside of the cover

Installation of the Cover



Installation of the frames



Installation of the cover