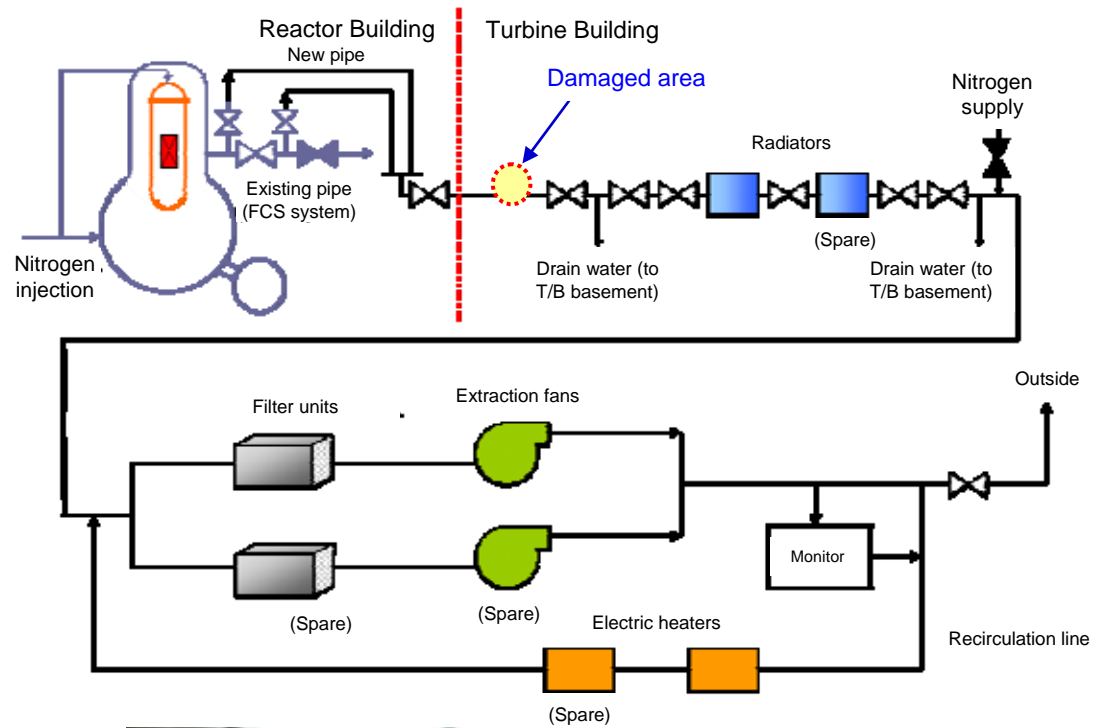
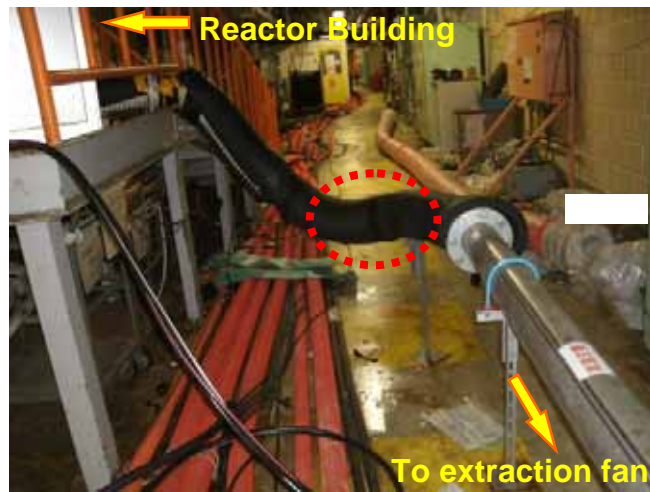


# Duct Replacement at Unit 2 PCV Gas Control System at Fukushima Daiichi Nuclear Power Station

October 15, 2012  
Tokyo Electric Power Company

# 1. Duct damage (Previously announced)

On September 9, 2012, a duct damage was found at Unit 2 PCV gas control system.



## 2. Measures implemented so far

(Previously announced)

After covering up the damaged area with duct tape to stop leakage, protective material was put on top of it to repair the entire duct.



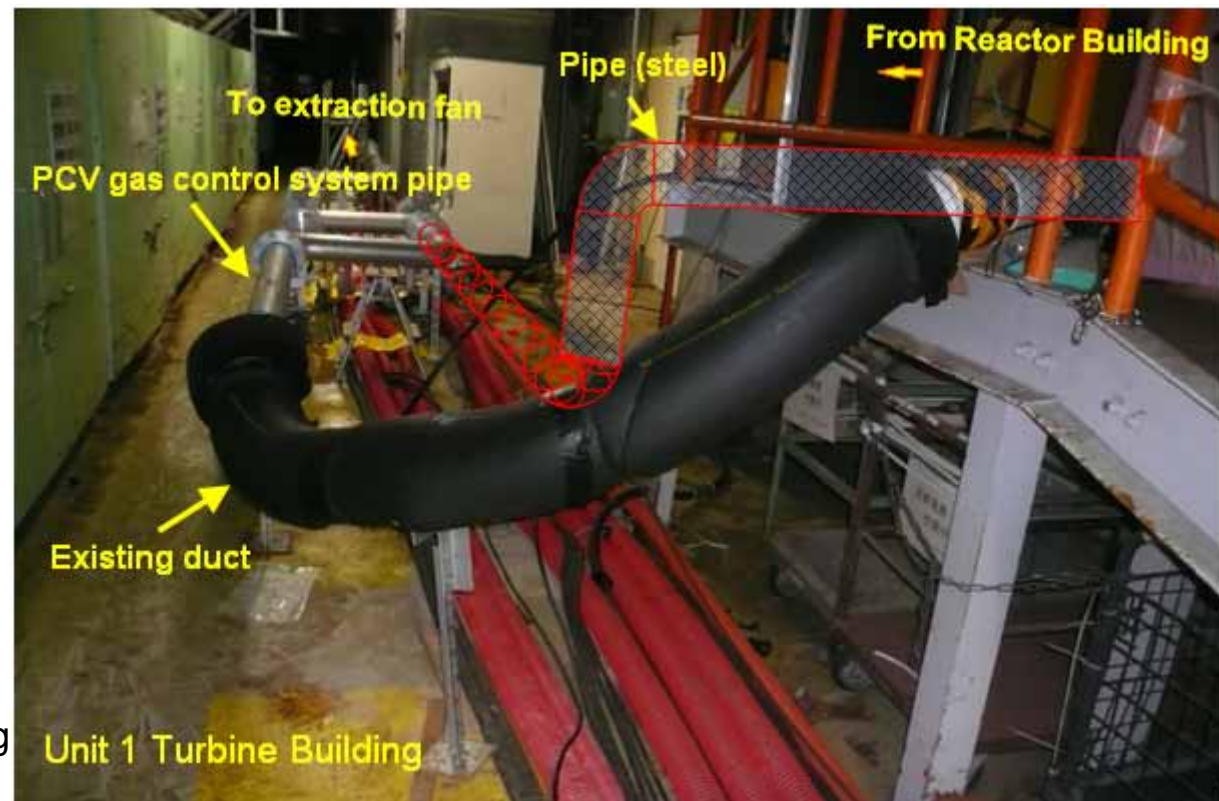
The damaged area was covered with duct tape to stop leakage

Protective material was put on top of it to repair the entire duct

## 3. Measures to be implemented

The pipe will be replaced with stainless steel pipe. The PCV gas control system will be temporarily stopped for the replacement on October 16.

The additional radiation exposure dose at the site boundaries due to the system suspension (considering changes in hydrogen concentration and radioactive material emission) is estimated to be less than 0.0002mSv (assuming a system suspension of 24 hours).



## 4. Conditions at the time of duct repair

