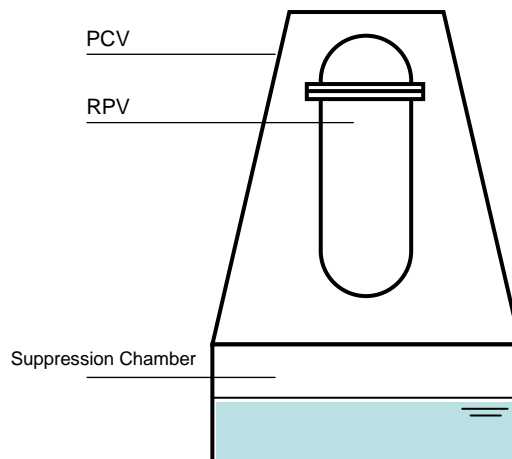
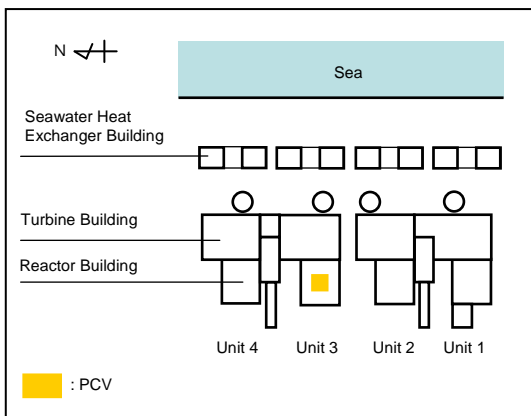


Visual inspection of the inside of Unit 3 PCV

Visual inspection of the inside of Unit 3 PCV was completed on April 5, 2012. As a result, we found no leakage of reactor coolant or deformation/damage of equipments and piping inside PCV and that there are no factors hindering the cold shutdown function. Though minor issues were found such as the paint inside PCV partially coming off (due to the temporary temperature rise after the plant shutdown) and rust on the surface of some equipments (due to humidity change), these do not have impact on the cold shutdown function (Press release issued on April 6, 2012).

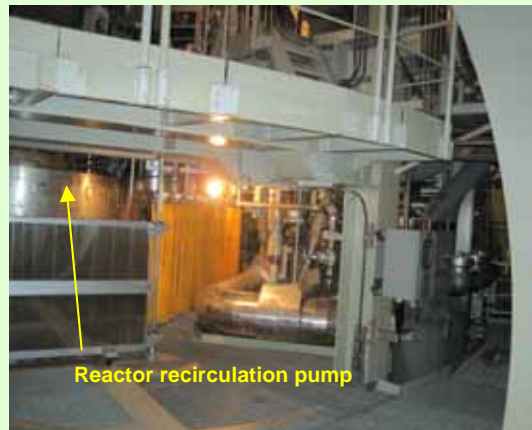
< Visual inspections conducted (As of the end of April, 2012) >
 Unit 1: December 27, 2011 – February 28, 2012 [Completed]
 Unit 2: March 6, 2012 – [Ongoing]
 Unit 3: February 14, 2012 – April 5, 2012 [Completed]
 Unit 4: August 29, 2011 – December 21, 2011 [Completed]



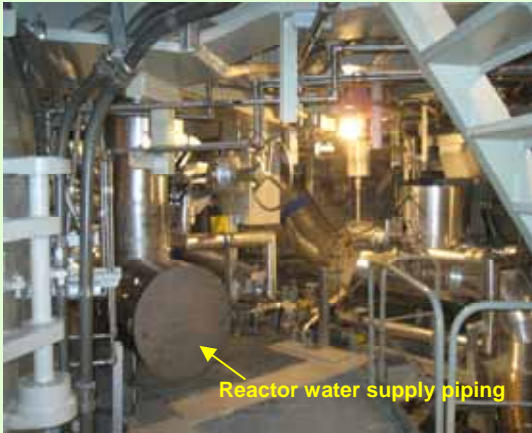
Facilities subject to the visual inspection



1. PCV entrance (Airlock for workers)
(Photo taken on April 17, 2012)



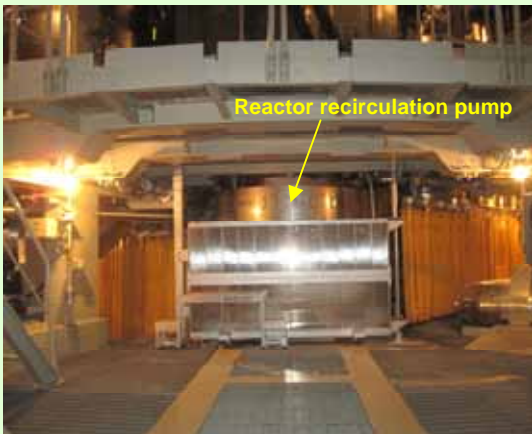
2. Inside of PCV
(Photo taken on April 17, 2012)



3. Inside of PCV
(Photo taken on April 17, 2012)



4. Pedestal (Base structure of RPV)
(Photo taken on April 17, 2012)



5. Reactor recirculation pump
(Photo taken on April 17, 2012)



6. Main steam isolation valve
(Photo taken on April 17, 2012)

Issues detected (Press release issued on April 6, 2012)



7. Paint coming off on PCV inner surface
(Photo taken on March 28, 2012)



8. Rusted stud bolt on the reactor recirculation pump (B)
(Photo taken on February 16, 2012)